

COMPACT EXCAVATOR
R30Z-9AK

Operating weight: 3005 kg (Cabin) / 2895 kg (Canopy)
Engine Power: 18.5 kW (24.9 HP) / 2400 rpm
Bucket capacity: 0.08 m³



Walk-around

R30Z-9AK

Safety

- Robust, stress-resistant upper frame
- X-type centre frame
- Excellent visibility
- Boom/dozer cylinder cover



Operator comfort

- Spacious cabin
- Ergonomic soft grip joysticks
- Centralised monitoring system with warning indicators
- Mechanical suspension seat with seat belt
- Adjustable armrests and wrist rests
- Radio & MP3-player

Productivity & Efficiency

- Advanced hydraulic system
- Swing boom function
- Various piping options
- Excellent break out forces
- Compact design: zero tail swing
- Auto shift travel system

Serviceability & Durability

- Wide opening hood & covers
- Easy-to-serve air cleaner
- Centralised grease fittings
- Long-life hydraulic oil and filters
- Durable shims & bushings
- Extended lifetime components

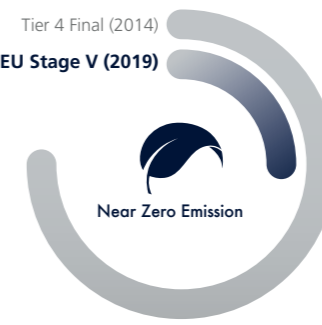
Productivity & Efficiency

EFFICIENT PERFORMANCE IN LIMITED-SPACE ENVIRONMENTS

Developed for maximum productivity, the R30Z-9AK has a compact design and zero tail swing radius to allow efficient operation in confined spaces. Its robust, eco-friendly Kubota engine is powerful, reliable and fuel-efficient, while the hydraulic system enables both fast operation and high controllability. The result is a versatile and dependable workhorse that helps you to optimise performance and economy every day, on a broad range of jobs.



Tier 4 Final (2014)
EU Stage V (2019)



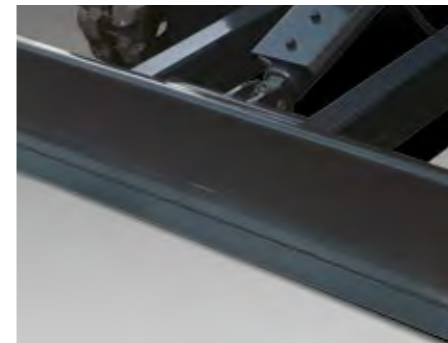
Engine

The compact Kubota D1305 EU Stage V compliant engine is powerful, fuel-efficient and keeps emissions to a minimum without requiring additional aftertreatment systems. The engine combines high performance with low noise and vibration.



Upper and lower frame

The upper frame structure is designed to absorb high external stress. An X-type centre frame and reinforced box section track frame provide exceptional strength and durability.



Dozer blade

The large dozer blade makes the excavator more versatile as well as improving efficiency and stability on the job.



Auto shift travel system

During high-speed travel, the auto shift travel system shifts down automatically under heavy loads to increase the power of the travel motor, and shifts back up once the load reduces.



Cylinder covers

The standard boom cylinder cover and dozer cylinder cover provide additional protection.



Hydraulic oil and filter

All components are selected for extended service intervals, low operating costs and minimal machine downtime. This includes bushings with prolonged lube intervals (250 hrs), wear-resistant, noise-reducing polymer shims and long-life hydraulic filters (1000 hrs) and hydraulic oil (5000 hrs). Efficient cooling systems and integrated preheating systems further enhance performance and durability.



Cabin structure

The robust cabin structure is built using integrally welded slow-stress, high-strength steel to form a tough, durable upper and lower frame. Structural integrity has been tested using FEM (Finite Elements Method) analysis and long-term durability tests.



Selector valve

The selector valve makes it easy to select single acting piping (for a breaker) or double acting piping (for a clamshell). The double acting pipe is placed on the front of the fuel tank for quick access and control.

Safety

PROTECTION FOR YOU AND YOUR EQUIPMENT

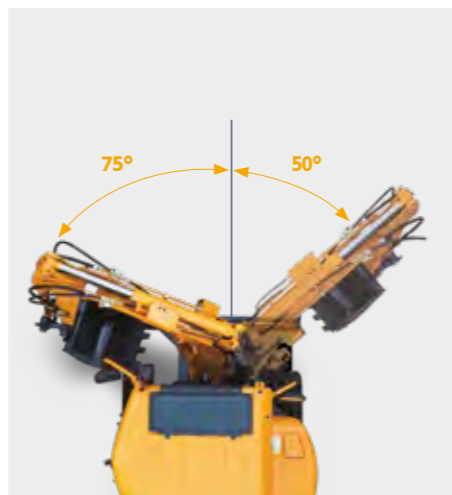
The R30Z-9AK features a range of innovations to offer extra protection for you and your surroundings. Zero tail swing ensures that you can work safely and confidently in confined spaces, close to walls, on roadways or in urban areas. All-round visibility is maximised, whether you choose the cabin model with its large windows and narrow pillars, or an open canopy.



Frame
The operator is protected by a robust cabin structure, built using strong, slim tubing to optimise both sturdiness and visibility. The canopy and cabin frame comply with international TOPS, ROPS and FOPS standards.



Safety lever
A safety lever is installed to prevent unintentional activation of the hydraulic attachments. When the safety lever is positioned upright, hydraulic functions are disabled.



Boom swing
The boom swing function is designed for safe, efficient work in congested residential and urban areas. The boom can be offset to the left or right within an operating range.

Serviceability & Durability

EASY SERVICING FOR TROUBLE-FREE OWNERSHIP

Working to a busy schedule, you need equipment that runs smoothly and can be easily maintained. The R30Z-9AK is designed for fast, easy servicing and monitoring with convenient access to important servicing points.



Air cleaner
The durable air cleaner is designed for convenient maintenance.



Engine hood/cover
Wide opening doors, covers and hoods provide easy access for servicing tasks.



Indicators and gauges
An array of gauges and warning indicators are displayed on the monitor. The monitoring system allows you to check machine status at a glance and includes an hour meter, oil pressure lamp, battery change lamp, engine coolant temperature gauge and fuel gauge.

Centralised grease fittings
The lubrication bank centralises grease fittings for quick, easy servicing.



Operator comfort

A CABIN DESIGNED AROUND YOU

The cabin of the R30Z-9AK was designed to provide a pleasant, productive and stress-free working environment for every operator. This is achieved through a combination of low noise and vibration, ergonomic comfort and easy control. The seat, console, armrests and wrist rests can be easily adjusted to suit your preferred operating position, while all control devices are conveniently placed to help you work more efficiently.



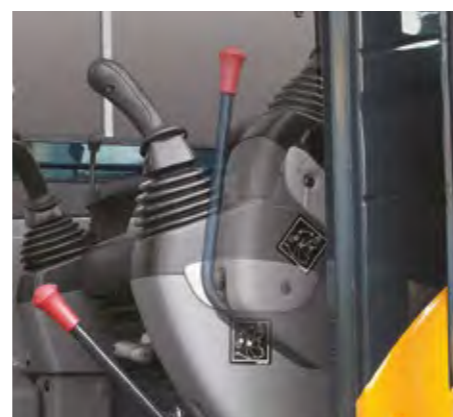
Slidable front window

The slidable front window (cabin model only) is easy to open and is held safely in the open position.



Storage

The right-hand console features different-sized cupholders for storing large and small drinks. A lockable storage box is installed under the seat to hold your belongings.



Tilting left-side console

The left-side console can be tilted, making it easier to enter and exit the cabin.

Control levers

The left- and right-hand control levers are located for maximum convenience. The joysticks have enough space for additional option switches. An optional pattern change valve enables easy adaptation of the joystick control pattern.

Pedals

The travel, boom offset and attachment pedals are configured for maximum comfort and foot space.



Parts & Warranties

HYUNDAI GENUINE PARTS AND WARRANTIES: THE BEST WAY TO PROTECT YOUR INVESTMENT

Hyundai Genuine parts, accessories and warranty programmes are specially designed to keep your machine covered. They increase uptime and maintain the performance, comfort and convenience that are built into your equipment.



Fuel filters

Hyundai fuel filters provide the right degree of filtration to keep your engine clean. They are designed to meet and exceed the engine manufacturer's prerequisites for water separation and dirt filtration, prolonging the life of your engine.



Hyundai Genuine parts

Hyundai Genuine parts have the same design as those installed when your machine left the factory. They are subjected to rigorous quality inspections and tests to make sure they meet Hyundai's strict requirements for quality and durability. As well as minimising downtime, this helps to ensure peak performance on every task.



A network you can rely on

Hyundai Construction Equipment Europe prioritises quick, reliable intervention to keep your equipment running reliably. In the 13000 m² warehouse, Hyundai covers over 96% of all Genuine Parts. With one of Europe's most advanced automated warehousing systems, we are able to maintain availability and efficient delivery of all our Genuine Parts. Moreover, we guarantee a 24-hour delivery service across our European dealer network.



Hyundai warranties

Our warranties are designed to give you the cover you need to build your business with confidence and peace of mind.

Standard warranties

We offer standard warranty coverage for all compact excavators. In addition to this standard coverage, optional and extended warranty periods are available, so you can benefit from full warranty coverage for longer, and even over the full lifetime of your machines. Please discuss the optimal solution for your needs with your local Hyundai dealer.

Extended warranties

Our extended warranties help you maintain full control over your operating costs. If you combine an extended warranty programme with a tailored maintenance contract, you can completely avoid unexpected costs.

Undercarriage parts

Hyundai track components deliver exceptional ride performance. The materials used comply with stringent quality control measures to ensure the highest reliability.



SPECIFICATIONS

ENGINE		
Model	Kubota / D1305-EF04	
Type	4 Cycle Diesel engine, in line, water cooled	
Rated flywheel horse power		
SAE	J1995 (gross)	18.5 kW (24.9 HP) / 2400 rpm
	J1349 (net)	18.2 kW (24.4 HP) / 2400 rpm
DIN	6271/1 (gross)	18.5 kW (25.2 PS) / 2400 rpm
	6271/1 (net)	18.2 kW (23.5 PS) / 2400 rpm
Max. torque	8.3 kgf.m / 1600 rpm	
Bore x stroke	78 mm x 88 mm	
Piston displacement	1261 cc	
Batteries	12 V - 58 Ah	
Starting motor	12 V - 1.4 kW	
Alternator	12 V - 40 A	

HYDRAULIC SYSTEM	
MAIN PUMP	
Type	variable displacement piston pumps
Max. flow	2 x 27.6 + 19.6 /min
Sub-pump for pilot circuit	Gear pump
Cross-sensing and fuel saving pump system	
HYDRAULIC MOTORS	
Travel	Two speed axial piston motor with counter balance valve and parking brake
Swing	Axial piston motor with automatic brake
RELIEF VALVE SETTING	
Implement circuits	220 Kg/cm ² (3130 psi)
Travel circuit	220 Kg/cm ² (3130 psi)
Swing circuit	170 Kg/cm ² (2420 psi)
Pilot circuit	30 Kg/cm ² (430 psi)
Service valve	Installed

HYDRAULIC CYLINDERS	
No. of cylinder - bore x stroke	
Boom	75 x 565 mm
Arm	70 x 500 mm
Bucket	60 x 420 mm
Boom swing	75 x 400 mm
Dozer blade	95 x 140 mm

OPERATOR'S CABIN	
Noise Levels (dynamic value)	Exterior sound power level (ISO 6395:2008): 94 dB(A)
	Operator sound pressure level (ISO 6396:2008): 75 dB(A)

HYDRAULIC CONTROLS	
Type	
Pilot control	Two joysticks with one safety lever (LH): Swing and arm, (RH): Boom and bucket with horn (ISO)
Engine throttle	Mechanical, cable type

TRAVEL LEVERS	
Traveling and steering: Two levers with foldable pedals.	

SWING SYSTEM	
Swing motor	Axial piston motor
Swing reduction	Planetary gear reduction
Swing bearing lubrication	Grease-bathed
Swing brake	Wet disc
Swing speed	9.1 rpm

DRIVES & BRAKES	
Max. travel speed (high / low)	4.3 km/h / 2.4 km/h
Maximum traction force	2.4 ton
Maximum gradeability	30°
Parking brake (Option)	wet disc

DIGGING FORCE (ISO)	
Bucket	2150 kgf
	20.1 kN
	4520 lbf
Arm	1400 [1265] kgf
	13.7 [12.4] kN
	3090 [2790] lbf

OPERATING WEIGHT APPROXIMATE		
Operating weight, including 2030 mm boom; 1120 mm arm; SAE heaped 0.08 m ³ excavator bucket, lubricant, coolant, full fuel tank, full hydraulic tank and all standard equipments.		
Shoe Width	Rubber shoe 300 mm	
Operating weight	Cabin	3005 kg
	Canopy	2895 kg
Option Weight	Quick coupler	+ 46 kg
	Canopy	- 110 kg
	Additional counter weight	+ 130 kg
Ground pressure	Cabin	0.29 kg/cm ² (4.12 psi)
	Canopy	0.27 kg/cm ² (3.84 psi)

UNDERCARRIAGE	
X-leg type center frame is integrally welded with reinforced box-section track frames. The undercarriage includes lubricated rollers, track adjusters with shock absorbing springs and sprockets and rubber shoes.	
Center frame	X-leg type
Track frame	Pentagonal box type
No. of carrier rollers on each side	1
No. of track rollers on each side	3

DIMENSIONS & WORKING RANGE

R30Z-9AK DIMENSIONS

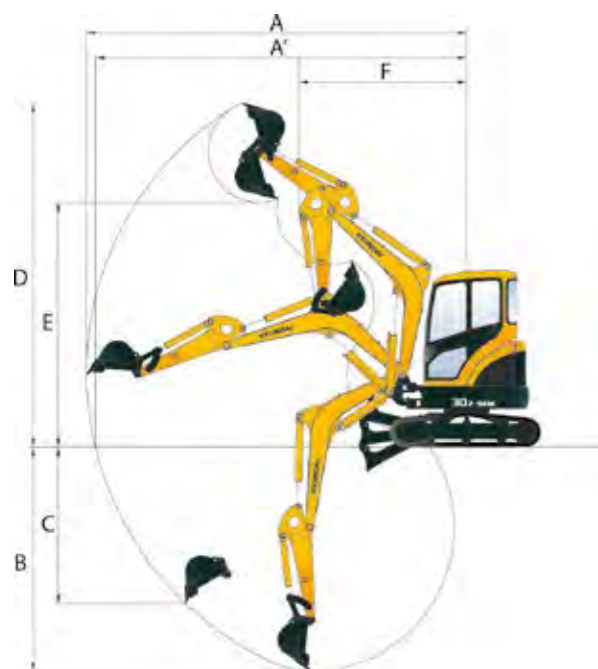


Unit : mm

A	Overall width of upper structure	1485
B	Overall width of cab	1050
C	Overall height of cab	2500
D	Tail swing radius - standard counterweight	775
	Tail swing radius - additional counterweight	875
E	Overall width	1550
F	Clearance under counterweight	540
G	Ground clearance	290
H	Tumbler distance	1550
I	Track length	1970

J	Track gauge	1250
K	Track shoe width	300
L	Overall length - Standard Arm	4180
	Overall length - Long Arm	4220

R30Z-9AK WORKING RANGE



Unit : mm

	Boom length	2030	
	Arm length	1120	*1350
A	Max. digging reach	4650	*4860
A'	Max. digging reach at ground	4515	*4735
B	Max. digging depth	2500	*2720
C	Max. vertical wall digging depth	2085	*2310
D	Max. digging height	4270	*4405
E	Max. dumping height	2890	*3030
F	Min. front swing radius	2055	*2090

* Long arm

LIFTING CAPACITY

Rating over-front Rating over-side or 360 degrees

R30Z-9AK MONO BOOM

Boom: 2030 mm, Arm: 1120 mm, Counterweight: 220 kg, Shoe: 250 mm, dozer down

Lift-point height m	Lift-point radius												At max. Reach			
	1.0 m		1.5 m		2.0 m		2.5 m		3.0 m		3.5 m		Capacity	Reach		
													kg	m		
3.0 m	kg												*720	620	2.64	
2.5 m	kg								*690	500			*620	450	3.20	
2.0 m	kg							*690	500	*700	390	*580	380	3.55		
1.5 m	kg						*830	660	*760	490	*730	380	*570	340	3.78	
1.0 m	kg						*1060	630	*870	480	*780	380	*580	320	3.91	
0.5 m	kg						*1300	600	*990	460	*840	370	*600	310	3.95	
0.0 m	kg						*1450	590	*1090	450	*890	360	*650	310	3.91	
-0.5 m	kg				*1550	810	*1500	580	*1130	440	*910	360	*740	320	3.78	
-1.0 m	kg	*1260	*1260	*1440	1360	*2020	810	*1450	570	*1100	440	*860	360	*820	350	3.56
-1.5 m	kg	*1790	*1790	*2160	1370	*1770	820	*1300	580	*970	440		*840	410	3.21	
-2.0 m	kg			*1920	1390	*1330	830	*950	590				*830	540	2.66	

Boom: 2030 mm, Arm: 1120 mm, Counterweight: 220 kg, Shoe: 250 mm, dozer up

Lift-point height m	Lift-point radius												At max. Reach			
	1.0 m		1.5 m		2.0 m		2.5 m		3.0 m		3.5 m		Capacity	Reach		
													kg	m		
3.5 m	kg												*720	580	2.64	
3.0 m	kg								590	470			530	420	3.20	
2.5 m	kg								590	470	450	360	440	350	3.55	
2.0 m	kg							780	620	580	460	450	360	400	320	3.78
1.5 m	kg							750	590	560	450	440	350	370	300	3.91
1.0 m	kg							720	560	550	430	430	350	360	290	3.95
0.5 m	kg							700	550	530	420	430	340	360	290	3.91
0.0 m	kg					990	750	690	540	530	410	420	330	380	300	3.78
-0.5 m	kg	*1260	*1260	*1440	1240	1000	750	690	530	520	410	420	330	410	330	3.56
-1.0 m	kg	*1790	*1790	1770	1250	1000	760	690	540	530	410		480	380	3.21	
-1.5 m	kg			1800	1280	1020	770	710	550				650	510	2.66	

- Lifting capacity are based on ISO 10567.
- Lifting capacity of the Robex Series does not exceed 75% of tipping load with the machine on firm, level ground or 87% of full hydraulic capacity.
- The Lift-point is bucket pivot mounting pin on the arm (without bucket mass).
- (*) indicates load limited by hydraulic capacity.
- Caution: please be aware of the local regulations and instructions for lifting operations.

LIFTING CAPACITY

Rating over-front Rating over-side or 360 degrees

R30Z-9AK MONO BOOM

Boom: 2030 mm, Arm: 1350 mm, Counterweight: 350 kg, Shoe: 250 mm, dozer down

Lift-point height m	Lift-point radius												At max. Reach					
	1.0 m		1.5 m		2.0 m		2.5 m		3.0 m		3.5 m		4.0 m		Capacity	Reach		
															m	m		
3.5 m	kg														*550	*550	2.99	
3.0 m	kg														*490	450	3.48	
2.5 m	kg								*590	570	*620	440			*470	380	3.80	
2.0 m	kg							*670	560	*660	440	*470	350	*460	350	4.01		
1.5 m	kg					*1220	1020	*930	720	*790	540	*720	430	*680	350	*460	330	4.13
1.0 m	kg							*1190	690	*930	530	*790	420	*710	340	*480	320	4.17
0.5 m	kg					*1340	930	*1380	670	*1040	510	*860	410	*740	340	*520	320	4.13
0.0 m	kg					*1540	910	*1480	650	*1110	500	*900	400	*610	330	*570	330	4.01
-0.5 m	kg	*1050	*1050	*1260	*1260	*2020	910	*1480	650	*1120	500	*890	400		*670	360	3.80	
-1.0 m	kg	*1470	*1470	*1800	1520	*1920	910	*1380	650	*1040	500				*790	410	3.49	
-1.5 m	kg	*1980	*1980	*2440	1540	*1570	930	*1140	660	*810	510				*800	500	3.01	
-2.0 m	kg					*890	*890								*740	*740	2.21	

Boom: 2030 mm, Arm: 1350 mm, Counterweight: 350 kg, Shoe: 250 mm, dozer up

Lift-point height m	Lift-point radius												At max. Reach					
	1.0 m		1.5 m		2.0 m		2.5 m		3.0 m		3.5 m		4.0 m		Capacity	Reach		
															m	m		
3.5 m	kg														*550	530	2.99	
3.0 m	kg														*490	420	3.48	
2.5 m	kg								*590	540	510	420			450	360	3.80	
2.0 m	kg								650	530	510	410	410	330	410	330	4.01	
1.5 m	kg					*1220	960	850	680	640	510	500	400	400	330	380	310	4.13
1.0 m	kg							820	650	620	490	490	390	400	320	380	300	4.17
0.5 m	kg							1130	860	790	620	600	480	480	390	390	320	4.13
0.0 m	kg							1110	850	780	610	590	470	470	380	390	310	4.01
-0.5 m	kg	*1050	*1050	*1260	*1260	1110	840	770	600	590	460	470	380		420	340	3.80	
-1.0 m	kg	*1470	*1470	*1800	1400	1120	850	770	600	590	470				480	380	3.49	
-1.5 m	kg	*1980	*1980	1990	1420	1130	860	780	610	600	470				590	470	3.01	
-2.0 m	kg					*890	890								*740	*740	2.21	

- Lifting capacity are based on ISO 10567.
- Lifting capacity of the Robex Series does not exceed 75% of tipping load with the machine on firm, level ground or 87% of full hydraulic capacity.
- The Lift-point is bucket pivot mounting pin on the arm (without bucket mass).
- (*) indicates load limited by hydraulic capacity.
- Caution: please be aware of the local regulations and instructions for lifting operations.

STANDARD/OPTIONAL EQUIPMENT

STANDARD EQUIPMENT

CERTIFIED CABIN
FOG (Falling Object Guard)
TOPS (Tip-Over Protective Structure)
ALL-WEATHER STEEL CABIN WITH ALL-AROUND VISIBILITY
SAFETY GLASS WINDOWS
SLIDING FOLD-IN FRONT WINDOW
SLIDING SIDE WINDOW
LOCKABLE DOOR
ACCESSORY BOX
CENTRALISED MONITORING
GAUGES
Fuel level gauge
Engine coolant temperature gauge
WARNING LAMPS
Engine oil pressure
Engine coolant temperature
Preheat engine
Low battery
Air cleaner clogging
Fuel empty
DOOR AND LOCKS, ONE KEY FITS ALL
MECHANICAL SUSPENSION SEAT WITH SEAT BELT
CONSOLE BOX TILTING SYSTEM (LH.)
ACCUMULATOR, WORK EQUIPMENT LOWERING
TRAVEL ALARM
WORKING LIGHT BOOM
ELECTRIC HORN
BATTERY (1 X 12 V X 80 AH)
BATTERY MASTER SWITCH
SAFETY VALVE FOR BOOM AND ARM CYLINDERS AND OVERLOAD WARNING DEVICE
SAFETY VALVE FOR DOZER BLADE CYLINDER
AUTOMATIC SWING BRAKE
REMOVABLE RESERVOIR TANK
WATER SEPARATOR, FUEL LINE
MONO BOOM (1.945 M)
ARM (2.30 M)
RUBBER TRACK (250 MM)
SINGLE ACTING PIPING (BREAKER, ETC)
DOUBLE ACTING PIPING (CLAMSHELL, ETC)
BUCKET 0.07 M³

OPTIONAL EQUIPMENT

CERTIFIED CANOPY
BEACON LAMP
QUICK COUPLER
LONG ARM (1.35 M)
HEATER & DEFROSTER
RADIO / USB PLAYER
PATTERN CHANGE VALVE
ADDITIONAL COUNTERWEIGHT
QUICK COUPLER PIPING
DOUBLE ACTING PROPORTIONAL PIPING
ROTATION PROPORTIONAL PIPING
BIO OIL
CUSTOMIZED PAINTING
CABIN LIGHT
CENTRAL GREASING SYSTEM

* Standard and optional equipment may vary. Contact your Hyundai dealer for more information. The machine may vary according to International standards.
 * The photos may include attachments and optional equipment that are not available in your area.
 * Materials and specifications are subject to change without advance notice.



Specifications and design are subject to change without notice. Pictures of Hyundai Construction Equipment Europe products may show other than standard equipment.

Hyundai Construction Equipment Europe nv,
Hyundailaan 4, 3980 Tessenderlo, Belgium.
Tel: (32) 14-56-2200 Fax: (32) 14-59-3405

EN-2021.01 Rev 0

Ready to experience the Hyundai Effect?

Contact your Hyundai dealer.
hyundai-ce.eu/en/dealer-locator