

ELECTRIC
WHEEL LOADER

RT210-2e
RT220-2e



Battery (V / Ah) :
48 / 260

Machines weight
(canopy / cabin) (kg) :
2200 / 2350

BATTERY / MOTORS

The RT210-2e and RT220-2e are the first two electric machines in the Kubota RT articulated wheeled loader range . They are based on the diesel variants . The Kubota diesel engine as been replaced with 2 electric motors .for the increasing need to reduce CO2 emissions and reduce noise.

BATTERY

It has been developed thanks to the LiFePO4 technology (lithium / iron / phosphate). It works with a nominal voltage of 48V DC (direct current), which means the machines belong to the extra low voltage range. An energy recuperation system is standard on these machines and is automatically activated when the machine decelerates or travels down hill. We offer three types of batteries to adapt to all customers needs : 260Ah, 390Ah et 520Ah. If the capacity is bigger, the autonomy will be longer. Charging time will also be extended.



- A. Battery 260Ah (390Ah and 520Ah in option)**
- B. Integrated charger 40A (60A in option)**
- C. Socket for domestic network**
- D. Socket for Super charger**

Ah : Ampere-hour (amount of energy that the battery can restore in 1 hour)

A : Ampere (intensity of electric current)

V : Volt (Electric tension)

W and kW : Watt and kilowatt (electric power)

In electricity, power = tension x intensity



BATTERY

Lithium-ion 260Ah / 48V

CHARGER

The machine will be delivered with an integrated battery charger standard will be 40 Amps. You will be able to change that to 60 Amps in the options this will allow a faster charge. Plugged into a 220 V power supply, it will take 7 hours to fully recharge the battery. We are also offering two versions of the super charger to improve charging times. One version is delivering an output of 150A and the other is delivering 300A and allows to fully charge the 520Ah battery in only 90 minutes. These Super chargers require a more powerful power supply to work, 400 Volts / 16A for the 150A version and 400 Volts / 32A for the 300A version. There is also an option to purchase an adaptor to plug the machine into a car charging station (the power is bigger for cars, it must be regulated to safely charge our wheel loaders).

ELECTRIC MOTORS

On our two models the driving motor (fitted on the rear axle) and the motor used for working hydraulics (cylinders and auxiliary) are electric and not hydraulic. It allows a better efficiency and longer autonomy. They are based on the IPM technology (interior permanent magnet) and works with a tension of 48V and an intensity of 135A (6,5kW) for the driving motor and 250A (12kW) for the working hydraulics motor (AC – alternative current). They are certified IP54, which means they are protected from dust infiltration and water resistant. Finally, they are equipped with a safety feature to help avoid overheating.



FEATURES

The two machines have been created on the same base, only the front part of the chassis is different and loader arms in order to adapt to the customer needs. The RT210-2e will be particularly interesting for rental companies thanks to its lifting capacity of 1140 kg in its basic configuration (straight height of 2825 mm) while the RT220-2e will be of interest.

LOADER

Thanks to a good electric / hydraulic integration, it is possible to operate different functions at the same time especially lift and top cylinder. We also offer an option of safety valves and boom suspension for a better retention of material inside the shovel at full speed.



HOMOLOGATION

Our wheel loaders can be homologated to travel on public roads (road specification can be different per country). Several options are available (traffic lights, mirrors, licence plate holder) in order to drive safely. Maximum speed of the machines is 20 kmh.



PERSONNALIZATION

As on all our wheel loaders, it is possible to configure the tyres in order to find the best performance. Different profiles (agricultural, construction, grass) but also width for more stability. Optional counterweights are also available to improve the lifting performance of the machines.

with pin heights
to construction
) and its lifting



CANOPY / CANOPY FOLDABLE / CABIN

For our two machines, it is possible to choose between a standard canopy, foldable canopy and closed cabin configuration. Our foldable canopy system makes it possible to reduce the working height in order to enter buildings with low ceilings without having to completely dismantle a standard canopy. It is possible to fold the canopy in less than 5 minutes. As an option, LED working lights and beacon allow to always work in optimal conditions.



DRIVING POSITION

We have paid particular attention to operator comfort with a digital dashboard and a multifunction joystick (the same as on our KTH4815-2 telescopic). Suspension seat on all versions and radio inside the cabin version. Giving you the comfort of a bigger machine in a compact design.



TOOL CARRIER



ATTACHMENTS

With more than fifty attachments in our range (shovel, top clamp, 4x1, forks, brush, pince bale clamp...), our wheel loaders will perform in all environments. It is also possible to choose among several types of quick hitches in order to pick up old attachments.

Kubota Genuine and Approved Parts
for maximum performance, durability and safety



SAVING TIME AND MONEY

No more maintenance related to the engine, technical stops will therefore be less. We also offer high-performance biodegradable hydraulic oil as an option, which extends oil change intervals up to 10,000 hours. Finally, the cost of an electric recharge is much more interesting than refuelling a machine. Although it is more expensive to buy, an electric machine will be competitive in terms of price if we take into account the total cost of ownership.

Standard and optional equipments

● Standard equipment ○ Optional equipment

| Model | RT210-2e RT220-2e |
|--|----------------------|
| Battery Lithium-ion | |
| 260Ah / 48V | ● |
| 390Ah, 48V (bigger autonomy) | ○ |
| 520Ah, 48V (bigger autonomy) | ○ |
| Charger | |
| On board charger 230V / 40A | ● |
| On board charger 230V / 60A (faster recharge) | ○ |
| Super charger 48V / 150A | ○ |
| Super charger 48V / 300A (faster recharge) | ○ |
| Adapter cable for car charging station | ○ |
| Hydraulic system | |
| Hydraulic quick coupler | ● |
| Multi function joystick | ● |
| Lever behind joystick for AUX control (mechanical control) | ● |
| Extra mechanical controlled AUX line | ○ |
| Electrical controlled AUX line | ○ |
| Safety valves | ○ |
| Boom suspension | ○ |

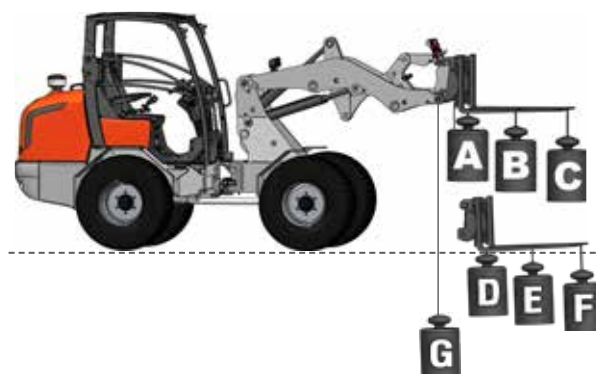
| Model | RT210-2e RT220-2e |
|---|----------------------|
| Driving position | |
| Canopy ROPS FOPS | ● |
| Canopy foldable ROPS FOPS | ○ |
| Cabin ROPS FOPS with radio and 4 LED working lights | ○ |
| Mechanical suspended seat | ● |
| Air suspended seat | ○ |
| Seatbelt | ● |
| Tilt steering | ● |
| Safety doors | ● |
| Road homologation | |
| Traffic lights LED | ○ |
| Beacon | ○ |
| Licence plate holder | ○ |
| Others | |
| 13 pin Trailer socket to the back | ○ |
| 3 pin socket on the front or back | ○ |
| Reverse buzzer | ○ |
| Additional counterweight 80kg under chassis | ○ |
| Combination towing hook | ○ |
| Biodegradable hydraulic oil | ○ |

*For further information consult your local dealer.

Specifications

| Model | RT210-2e | RT220-2e | |
|---|------------------|----------------------------|------|
| Operating weight (canopy/cabin) | kg | 2200 / 2350 | |
| Battery Lithium-ion | | 260Ah / 48V | |
| Manufacturer | | Jungheinrich | |
| Electric motors | | | |
| Driving | kW | 6,5 | |
| Working hydraulics | kW | 12 | |
| Operational specifications with pallet fork in straight position (ISO 14397) and tipping Load (G) measured on hinge point* | A kg | 1250 | 1580 |
| | B kg | 950 | 1140 |
| | C kg | 745 | 850 |
| | D kg | 2000 | 2675 |
| | E kg | 1270 | 1590 |
| | F kg | 1000 | 1120 |
| | G kg | 1450 | 2054 |
| Speed | km/h | 0-5km/h 0-12km/h 0-20 km/h | |
| Angle of oscillation | ° | 6,5 | |
| Noise level | | | |
| Sound pressure level (LpA)(canopy/cabin) | dB (A) | ≤101 | |
| Sound power level (LwA (2000/14/EC)) | dB (A) | ≤101 | |
| Hand arm system vibration | m/s ² | ≤2.5 | |
| Whole body vibration | m/s ² | ≤2.5 | |
| Capacity | | | |
| Hydraulic oil tank | l | 25 | |
| Front / rear axle oil | l | 2,9 | |

*Tipping load measured on hinge point in straight position, standard tires, no additional counterweight.

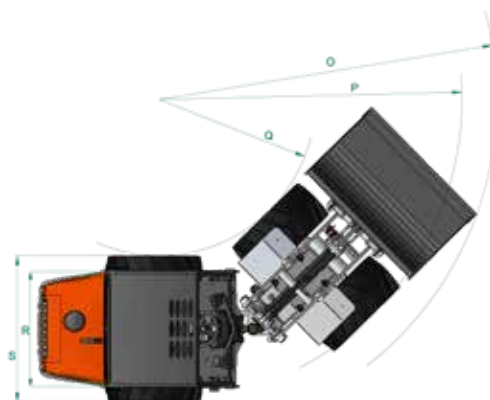


Dimensions

Machine dimensions*

| Model | | | RT210-2e | RT220-2e |
|-------|---------------------------------|----|----------|----------|
| A | Wheel base | mm | 1515 | 1580 |
| B | Overall length without bucket | mm | 2975 | 3054 |
| C | Overall length with bucket | mm | 3690 | 3830 |
| D | Seat height | mm | 1256 | 1256 |
| E | Overall height | mm | 2300 | 2300 |
| F | Front frame height | mm | 1480 | 1250 |
| G | Dumping height | mm | 1988 | 1680 |
| H | Max. height at hinge pin | mm | 2825 | 2450 |
| I | Max. lifting height at bucket | mm | 3392 | 3040 |
| J | Roll back angle at ground level | ° | 41 | 41 |
| K | Roll back angle at max. height | ° | 46 | 46 |
| L | Dumping angle | ° | 36 | 36 |
| M | Rear climbing angle | ° | 29 | 29 |
| N | Diameter of standard wheel | mm | 760 | 760 |
| O | Turning radius with bucket | mm | 2599 | 2650 |
| P | Turning radius (outer wheel) | mm | 2292 | 2342 |
| Q | Turning radius (inner wheel) | mm | 11799 | 1230 |
| R | Tread | mm | 890 | 890 |
| S | Overall width | mm | 1040 | 1080 |
| - | Articulation angle | ° | 43 | 44 |
| - | Ground clearance | mm | 220 | 220 |

*The data have been measured on the standard version.
Specifications are subjects to be changed without notice.



| Model | RT210-2e RT220-2e |
|--|----------------------|
| Tyres | |
| Tyres 10.0/75x15.3 AS - Profil agricultural (machine width 108 cm) | • |
| Tyres 27x10.50-15 SKID - Profil industriel (machine width 116 cm) | ○ |
| Tyres 29x12.50-15 Gazon (machine width 123 cm) | ○ |
| Tyres 31x15.50-15 S - Profil agricole (machine width 128 cm) | ○ |
| Tyres 31x15.50-15 X-TRAC - Profil mixte (machine width 128 cm) | ○ |
| Tyres 31x15.50-15 SKID - Profil industriel (machine width 128 cm) | ○ |
| Tyres 31x15.50-15 Gazon (machine width 128 cm) | ○ |

★ All images shown are for brochure purposes only.
When operating the wheel loader, wear clothing and equipment in accordance to local legal and safety regulations.

KUBOTA (U.K.) LTD

Dormer Road, Thame,
Oxfordshire,
OX9 3UN, U.K.
Phone : (44) 01844-268140
Fax : (44) 01844-268295

